

3-PORT DIRECT OPERATED SOLENOID VALVES

SS231

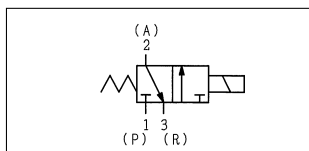
Poppet Seal/Sub-base Mounting type

SS231

2-position
Single solenoid



JIS Symbol



ORDERING INSTRUCTION

SS231 - M5 - 100 G L

Port size

NB	Without sub-base
M5	M5 × 0.8
01	Rc ¹ / ₈

Voltage

100	AC100V/110V
200	AC200V/220V
D24	DC24V

Wiring

L	Lead wire
G	Grommet with terminal
C	Conduit with terminal
*GK	Grommet with surge suppressor
*CK	Conduit with surge suppressor
D	DIN connector

* : Made to order

Option

No mark	Without option (Standard)
L	With locking button

SPECIFICATIONS

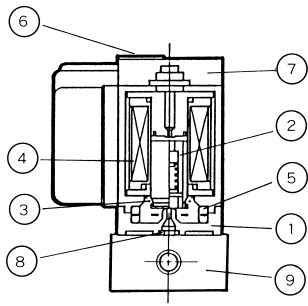
Model No.	Unit	SS231			
Fluid		Non-lubricated/lubricated air			
Port size		M5, Rc ¹ / ₈			
Effective area	mm ²	0.6			
Cv value		0.03			
Operating ambient temperature	°C	- 5 ~ 60			
Operating pressure range	MPa	0 ~ 1			
Maximum frequency	Cycle/min	1200			
Response time (at 0.5MPa)	s	ON 0.006, OFF 0.008			
Rated voltage	V	AC100/110, 200/220, DC24			
Grade of insulation		JIS grade B			
Permissible voltage fluctuation	%	± 10 (DC ⁺¹⁰ / ₋₁₅)			
Rated frequency	Hz	50/60			
Power consumption	AC	Holding	50Hz	VA	3.2
			60Hz	VA	2.6
	Inrush	50Hz	VA	5	
		60Hz	VA	4.5	
Power consumption DC	W	2			
Mass	kg	0.08			

(Note) • When temperature of valve site goes down below 5 °C, complete dry air shall be supplied to prevent from freezing.

- Effective area shown above is value between ports 1 and 2.
- Response time shown above is in accordance with JIS B 8375.

SS231

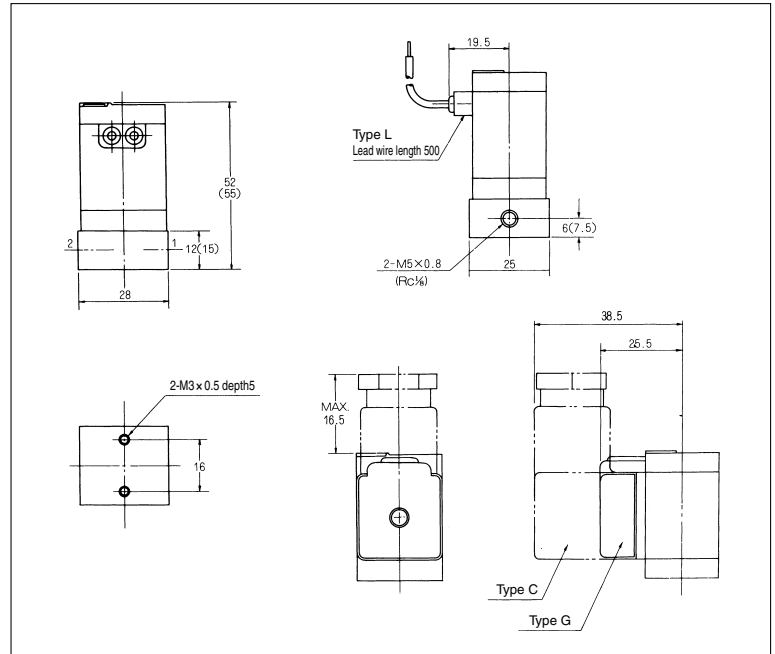
CONSTRUCTION AND MAIN PARTS



No.	Description
	Body
	Plunger
	Spring
	Coil
	Manual ring
	Manual override
	Cover
	O-ring
	Sub-base

DIMENSIONS

(Unit : mm)



INDIVIDUAL WIRING TYPE MANIFOLD

MF - TI TC 1

Bar type

MF -TI1	Common SUP, Individual EXH Port 2 on side
MF -TC1	Common SUP, Common EXH Port 2 on side



MANIFOLD SPECIFICATIONS

Type of manifold		MF -TI1-M5	MF -TI1-01	MF -TC1-M5	MF -TC1-01
		Common SUP, Individual EXH	Common SUP, Individual EXH	Common SUP, Common EXH	Common SUP, Common EXH
Port size	Port 1	M5	Rc $\frac{1}{8}$	M5	Rc $\frac{1}{8}$
	Port 3	-	-	M5	Rc $\frac{1}{8}$
	Port 2	M5	Rc $\frac{1}{8}$	M5	Rc $\frac{1}{8}$
Number of stations		2 ~ 10	2 ~ 10	2 ~ 10	2 ~ 10
Mountable solenoid valve		SS231-NB		SS231-MF	

ORDERING INSTRUCTIONS

Manifold		Mountable solenoid valve																									
MF 5 - TI 1 - M5		SS231 - MF - 100 G - L																									
Number of stations <table border="1"> <tr><td>2</td><td>2 station</td></tr> <tr><td>:</td><td>:</td></tr> <tr><td>10</td><td>10 station</td></tr> </table>		2	2 station	:	:	10	10 station	Type of solenoid valve <table border="1"> <tr><td>NB</td><td>For TI</td></tr> <tr><td>MF</td><td>For TC</td></tr> </table>		NB	For TI	MF	For TC	Wiring <table border="1"> <tr><td>L</td><td>Lead wire</td></tr> <tr><td>G</td><td>Gromment with terminal</td></tr> <tr><td>C</td><td>Conduit with terminal</td></tr> <tr><td>*GK</td><td>Gromment with surge suppressor</td></tr> <tr><td>*CK</td><td>Conduit with surge suppressor</td></tr> <tr><td>D</td><td>DIN connector</td></tr> </table>		L	Lead wire	G	Gromment with terminal	C	Conduit with terminal	*GK	Gromment with surge suppressor	*CK	Conduit with surge suppressor	D	DIN connector
2	2 station																										
:	:																										
10	10 station																										
NB	For TI																										
MF	For TC																										
L	Lead wire																										
G	Gromment with terminal																										
C	Conduit with terminal																										
*GK	Gromment with surge suppressor																										
*CK	Conduit with surge suppressor																										
D	DIN connector																										
Type of manifold <table border="1"> <tr><td>TI</td><td>Common SUP, Individual EXH</td></tr> <tr><td>TC</td><td>Common SUP, Common EXH</td></tr> </table>		TI	Common SUP, Individual EXH	TC	Common SUP, Common EXH	Voltage <table border="1"> <tr><td>100</td><td>AC100V/110V</td></tr> <tr><td>200</td><td>AC200V/220V</td></tr> <tr><td>D24</td><td>DC24V</td></tr> </table>		100	AC100V/110V	200	AC200V/220V	D24	DC24V	* : Made to order Option <table border="1"> <tr><td>No mark</td><td>Without option (Standard)</td></tr> <tr><td>L</td><td>With locking button</td></tr> </table>		No mark	Without option (Standard)	L	With locking button								
TI	Common SUP, Individual EXH																										
TC	Common SUP, Common EXH																										
100	AC100V/110V																										
200	AC200V/220V																										
D24	DC24V																										
No mark	Without option (Standard)																										
L	With locking button																										
Size of port 2 <table border="1"> <tr><td>M5</td><td>M5 x 0.8</td></tr> <tr><td>01</td><td>Rc$\frac{1}{8}$</td></tr> </table>		M5	M5 x 0.8	01	Rc $\frac{1}{8}$																						
M5	M5 x 0.8																										
01	Rc $\frac{1}{8}$																										

HOW TO ORDER

List solenoid valves to be mounted.

(Example)

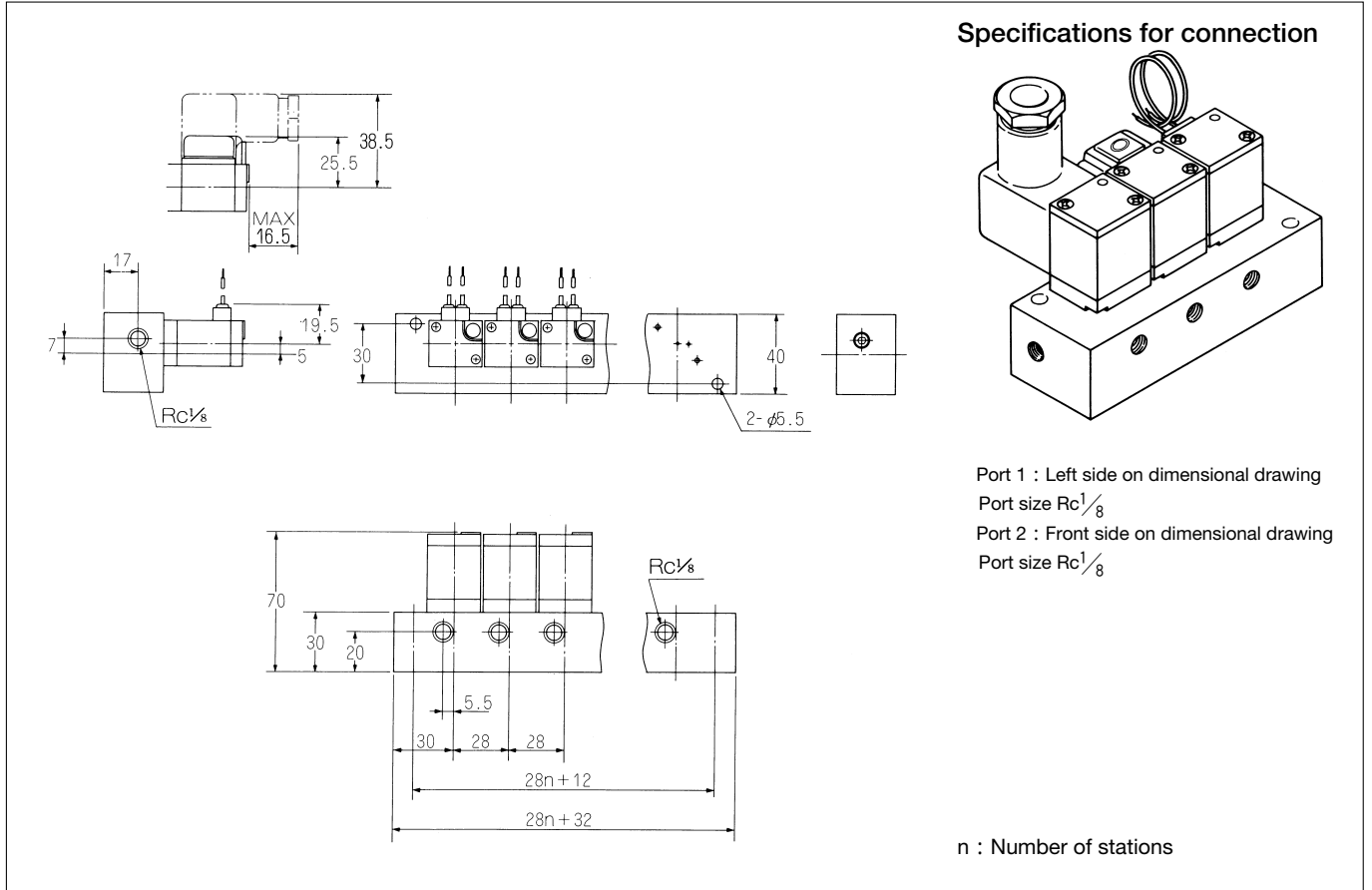
MF5-TC1-M5 1 pc.
 SS231-MF-100G 5 pcs.

SS231

DMENSIONS

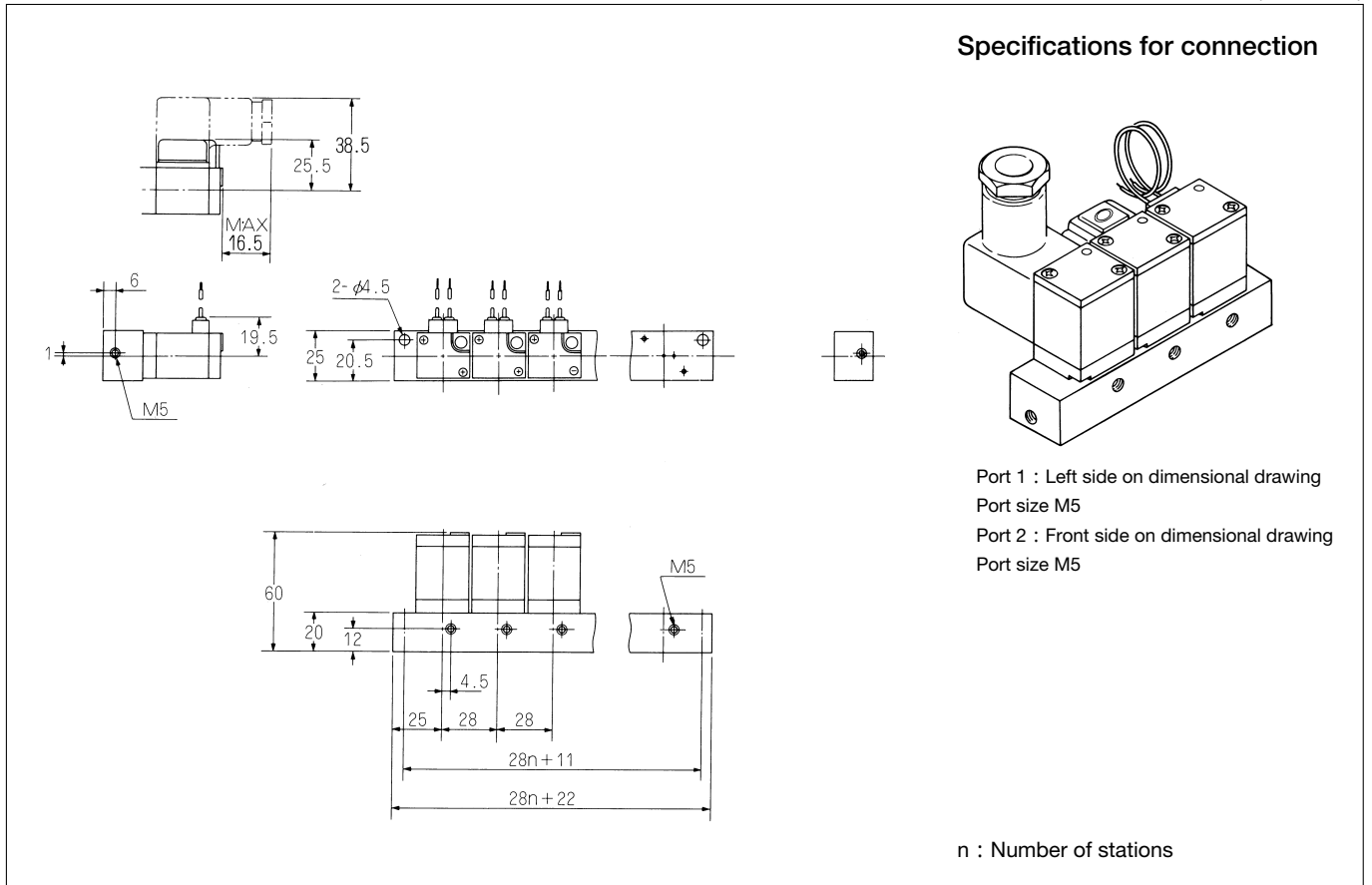
MF -T11-01

(Unit : mm)



MF -T11-M5

(Unit : mm)

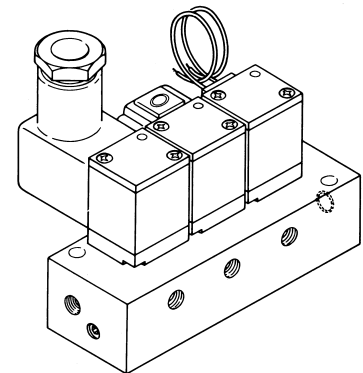
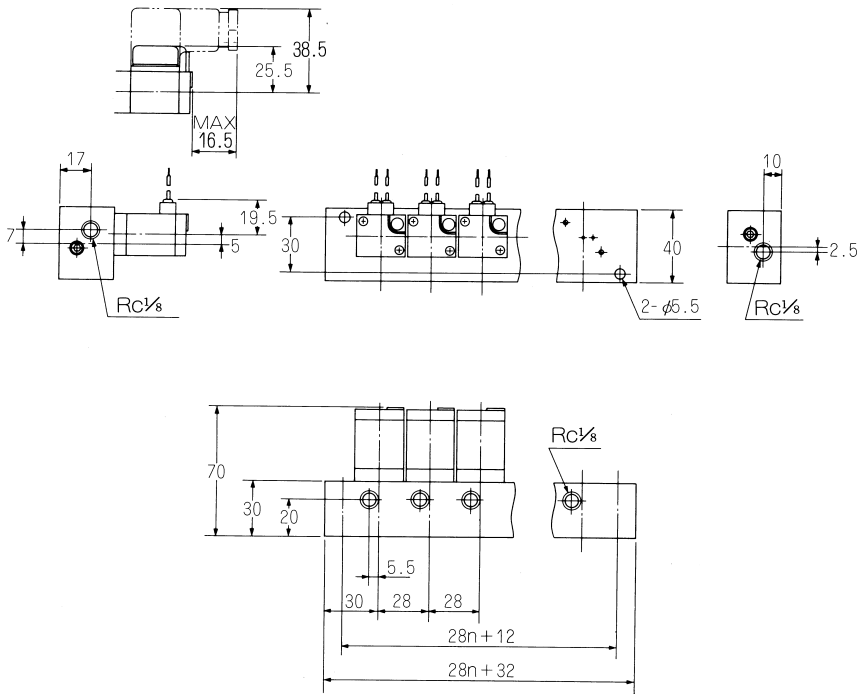


DIMENSIONS

MF -TC1-01 (Made to order)

(Unit : mm)

Specifications for connection



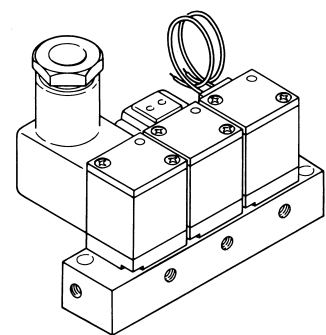
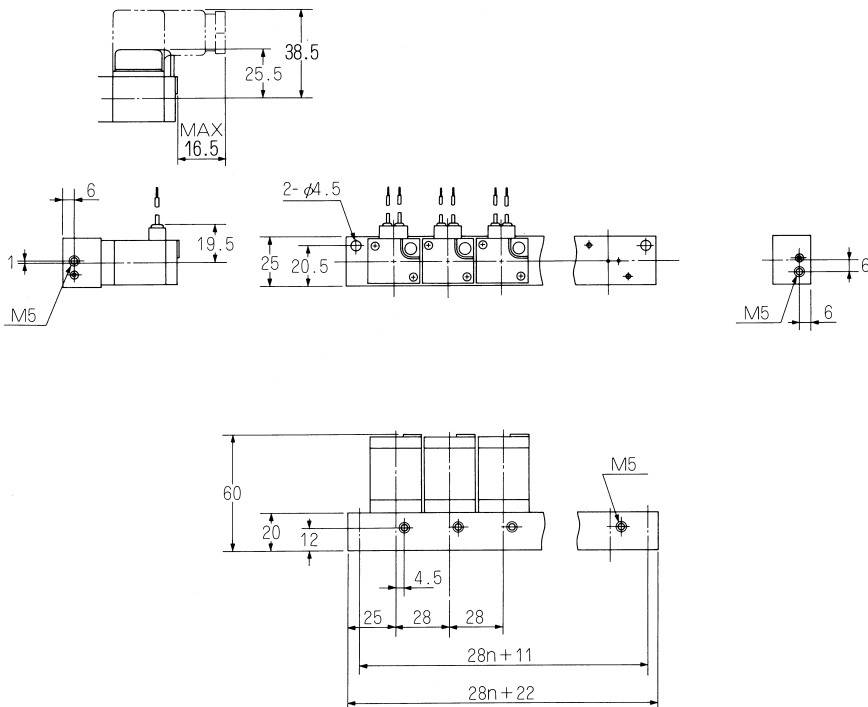
- Port 1 : Left side on dimensional drawing
Port size Rc $\frac{1}{8}$
- Port 2 : Front side on dimensional drawing
Port size Rc $\frac{1}{8}$
- Port 3 : Right side on dimensional drawing
Port size Rc $\frac{1}{8}$

n : Number of stations

MF -TC1-M5 (Made to order)

(Unit : mm)

Specifications for connection



- Port 1 : Left side on dimensional drawing
Port size M5
- Port 2 : Front side on dimensional drawing
Port size M5
- Port 3 : Right side on dimensional drawing
Port size M5

n : Number of stations